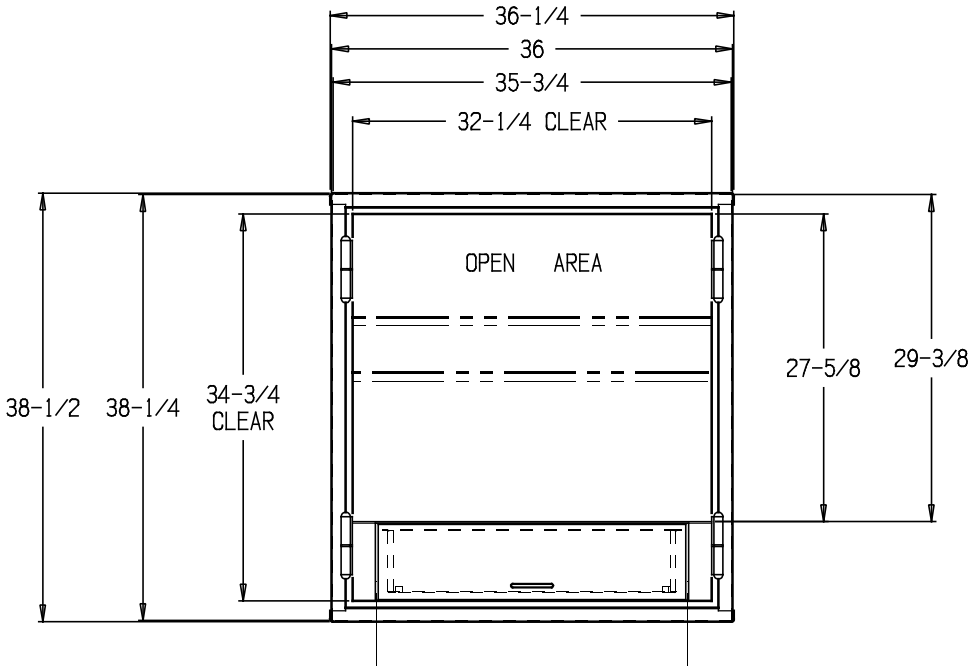
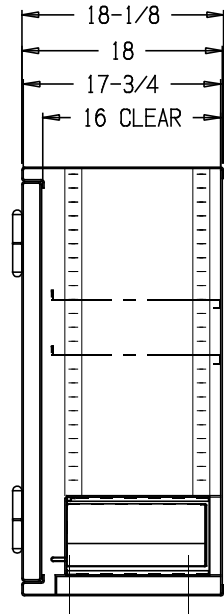


SK2011-232	1	-
------------	---	---

REVISIONS			
REV	DESCRIPTION	DATE	BY



FRONT VIEW
(SHOWN WITHOUT DOORS)

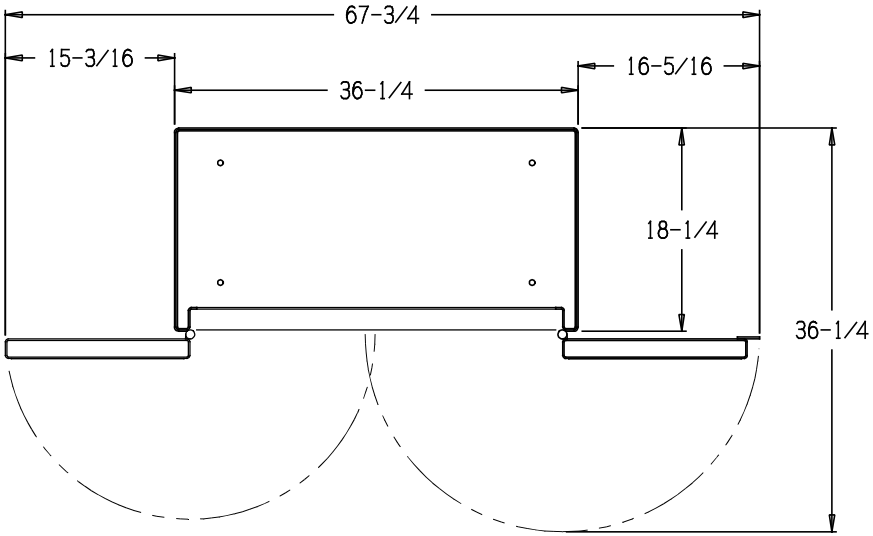


SECTION VIEW

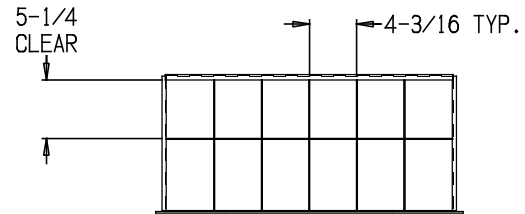
TOP

CUSTOMER SIGNATURE		AMSEC AMERICAN SECURITY PRODUCTS COMPANY
CUSTOMER NAME		
DATE		
COMPANY NAME		B Form DD - 38.50 x 36.00 x 18.00 D.D. with SAFEWIZARD - Top Unit
PROPRIETARY INFORMATION UNAUTHORIZED RELEASE WITHOUT EXPRESS WRITTEN PERMISSION OF AMERICAN SECURITY PRODUCTS CO. EXPRESSLY PROHIBITED	ML #	B Q # 041742 SK2011-232 -
DRAWN R. Tucker	14 APR 11	SCALE 1/12 DO NOT SCALE DWG SHEET 1 OF 3

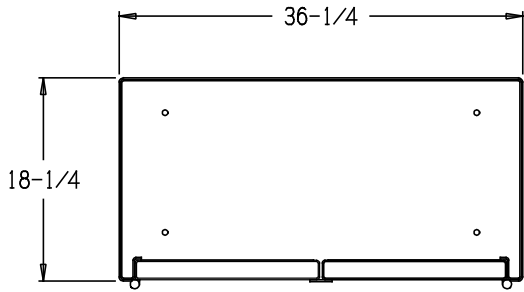
REVISIONS			
REV	DESCRIPTION	DATE	BY



PLAN VIEW SECTION
DOORS OPEN



DRAWER DIVIDERS
12 COMPARTMENTS



PLAN VIEW SECTION
DOORS CLOSED

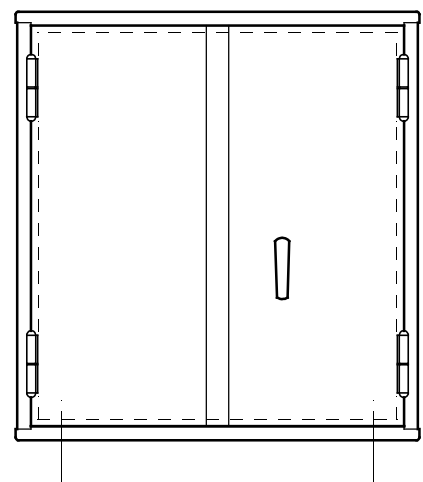
TOP

CUSTOMER SIGNATURE		AMSEC AMERICAN SECURITY PRODUCTS COMPANY		
CUSTOMER NAME		B Form DD - 38.50 x 36.00 x 18.00 D.D. with SAFEWIZARD - Top Unit		
DATE		ML #	B Q # 041742	SK2011-232
COMPANY NAME		DRAWN R. Tucker	14 APR 11	SCALE 1/12 DO NOT SCALE DWG SHEET 2 OF 3
<small>PROPRIETARY INFORMATION UNAUTHORIZED RELEASE WITHOUT EXPRESS WRITTEN PERMISSION OF AMERICAN SECURITY PRODUCTS CO EXPRESSLY PROHIBITED</small>				

REVISIONS			
REV	DESCRIPTION	DATE	BY

SPECIFICATIONS

1. Safe, 38-1/2 H x 36 W x 18 D, Outside, Burglary Class "B".
2. Chest, 76-3/4 H x 35-3/4 W x 17-3/4 (16 Clear) D, Constructed of 1/8" Thick Steel, with a Formed Body, with:
 - a. One (1) Open Area, Top, 29-3/8 H x 35-3/4 W. Clear Opening: 27-5/8 H x 32-1/4 W. Supplied with Two (2) Adjustable Shelves with Retaining Lip and Molded Protective Edging.
 - b. One (1) Modified DR426 Drawer, Bottom, Usable Area: 5-7/8 x 25-3/4 x 10-7/8. Divided into Twelve (12) Compartments. Controlled by the SafeWizard.
3. Outer Doors, Clear Openings: 73-1/4 H x 32-1/4 W, 1-1/2" Thick, Constructed of Formed 1/8" Thick Steel. Right Door Controlled by the SafeWizard (Located in the Bottom Unit), and Equipped with Full Boltwork Cover, "E1" Handle, and Two-Way Locking Mechanism with Two (2) 3/4" Dia. Chrome-Plated Locking Bolts. Left Door Equipped with Full Boltwork Cover.
4. Safe Provided with Four (4) 1/2" Dia. Anchor Holes.
5. Approx. Weight: 393 lbs.



FRONT VIEW

TOP

CUSTOMER SIGNATURE		AMSEC AMERICAN SECURITY PRODUCTS COMPANY		
CUSTOMER NAME				
DATE		B Form DD - 38.50 x 36.00 x 18.00 D.D. with SAFEWIZARD - Top Unit		
COMPANY NAME				
PROPRIETARY INFORMATION UNAUTHORIZED RELEASE WITHOUT EXPRESS WRITTEN PERMISSION OF AMERICAN SECURITY PRODUCTS CO EXPRESSLY PROHIBITED	ML #	B	Q # 041742	SK2011-232
	DRAWN R. Tucker	14 APR 11	SCALE 1/12	DO NOT SCALE DWG
				SHEET 3 OF 3